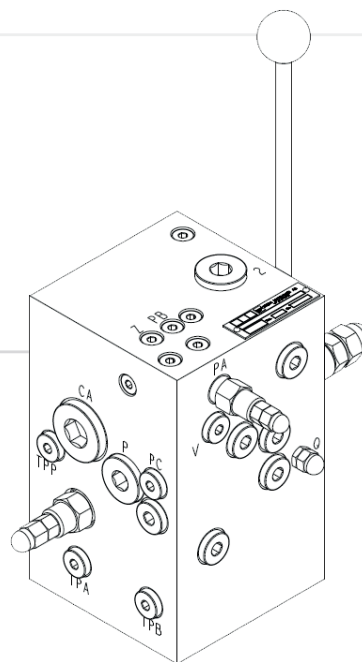


# MODULAR WINCH UNITS

## 7MB for flow 30-120 lpm

### Winch control manifolds for variable pumps

- Pipe mounted model
- Compact design
- Pressure compensator system for load independent control of hydraulic motor
- Counter balance valve of poppet design
- Actuations
  - Manual
  - Hydraulic remote
  - Proportional electric operation
  - Combination of those above
- Options for
  - Two speed selector valve
  - Up to 2 NG6 flanges for operation of external functions
  - Prepared to be fitted directly on hydraulic motor by use of an intermediate adapter plate



DESCRIPTION	DATA	
Flow ranges	60	30-60 l/min
	120	70-140 l/min
	450	300-500 l/min
Weight	60/120	23 kg
Max pressure	P, A, B	350 bar
	T	20 bar
Pilot pressure	5-20 bar	
Test pressure	420 bar	
Fluid temperature range	-20°C to +70°C	
Ambient temperature range	-20°C to +50°C	

